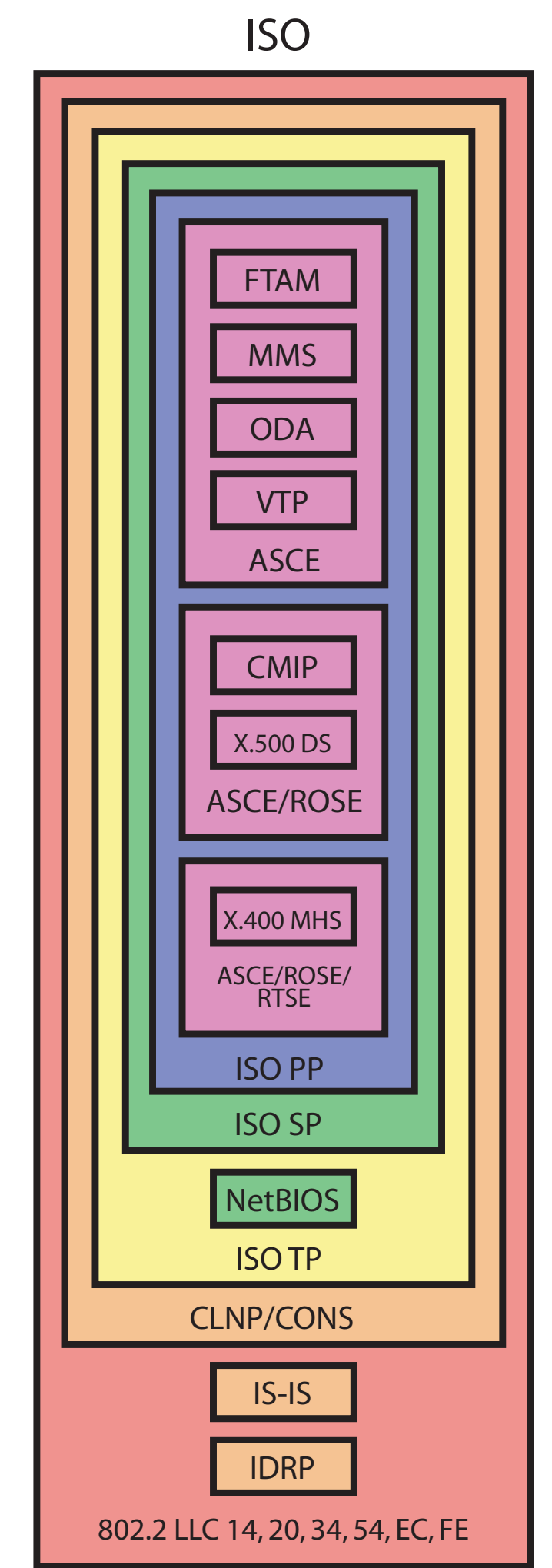
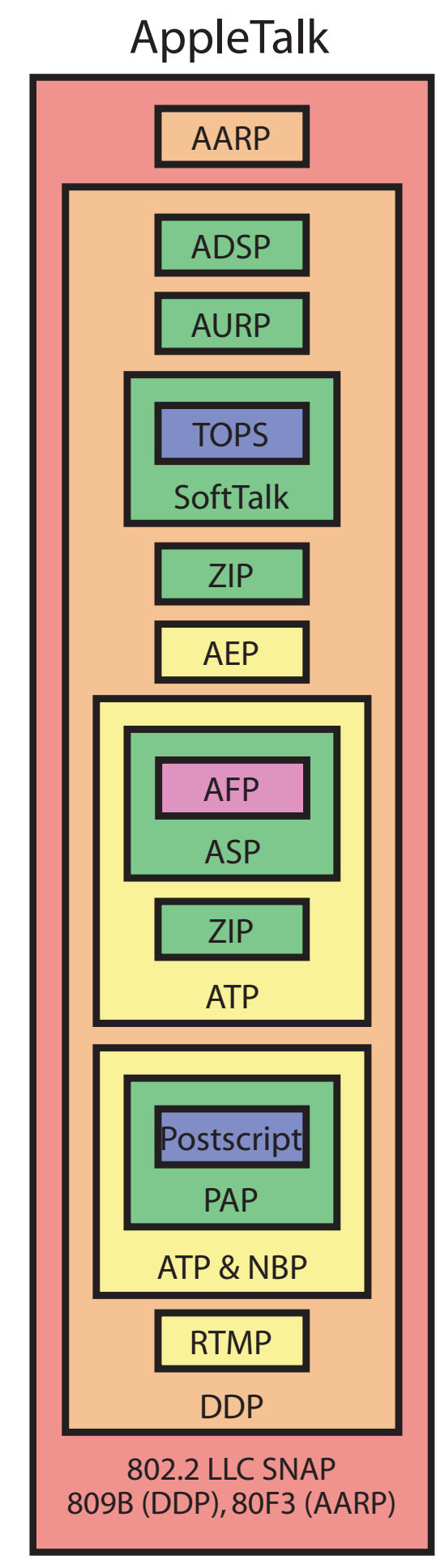
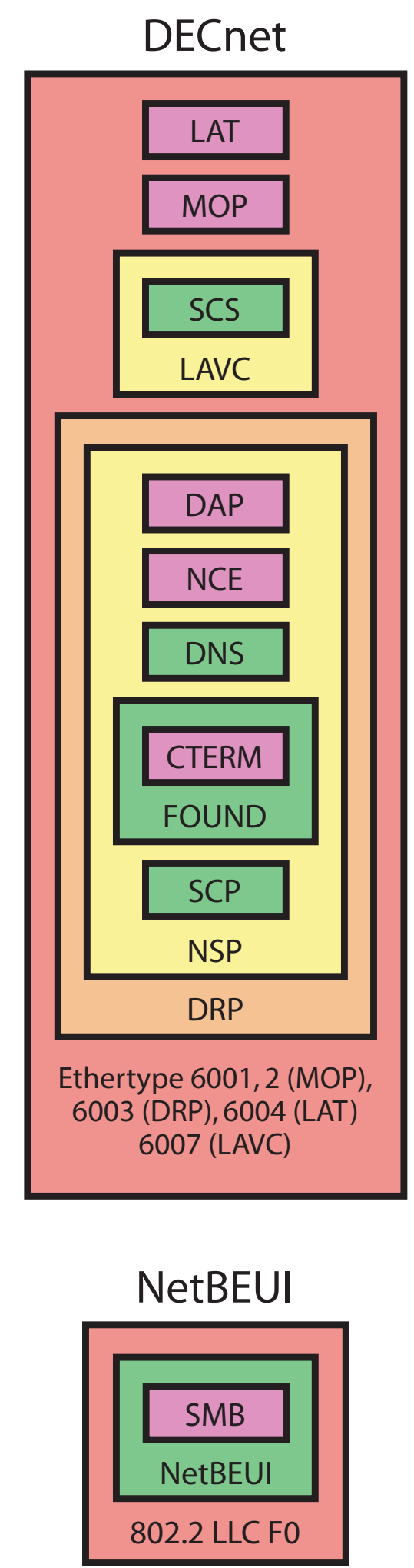
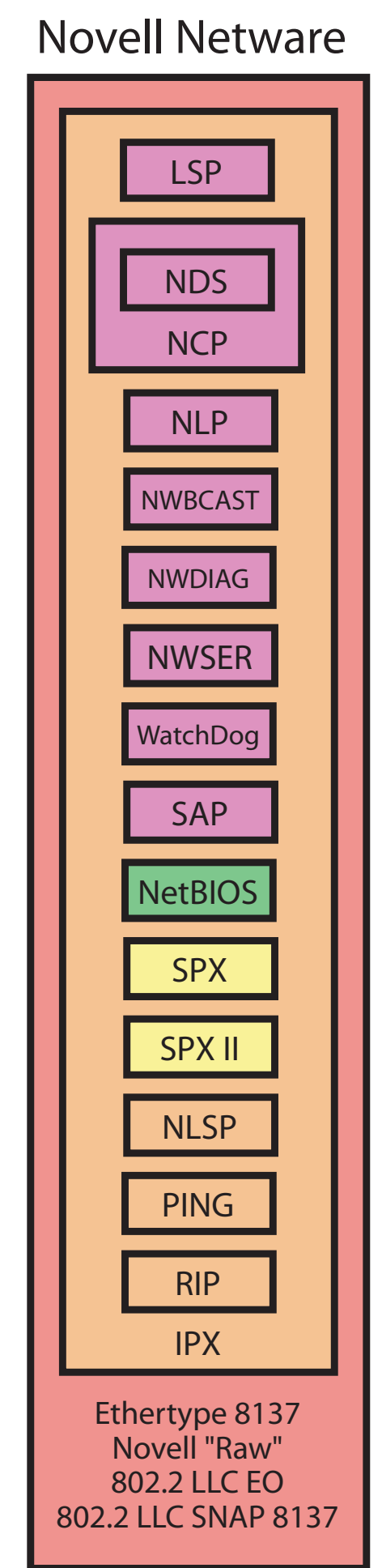
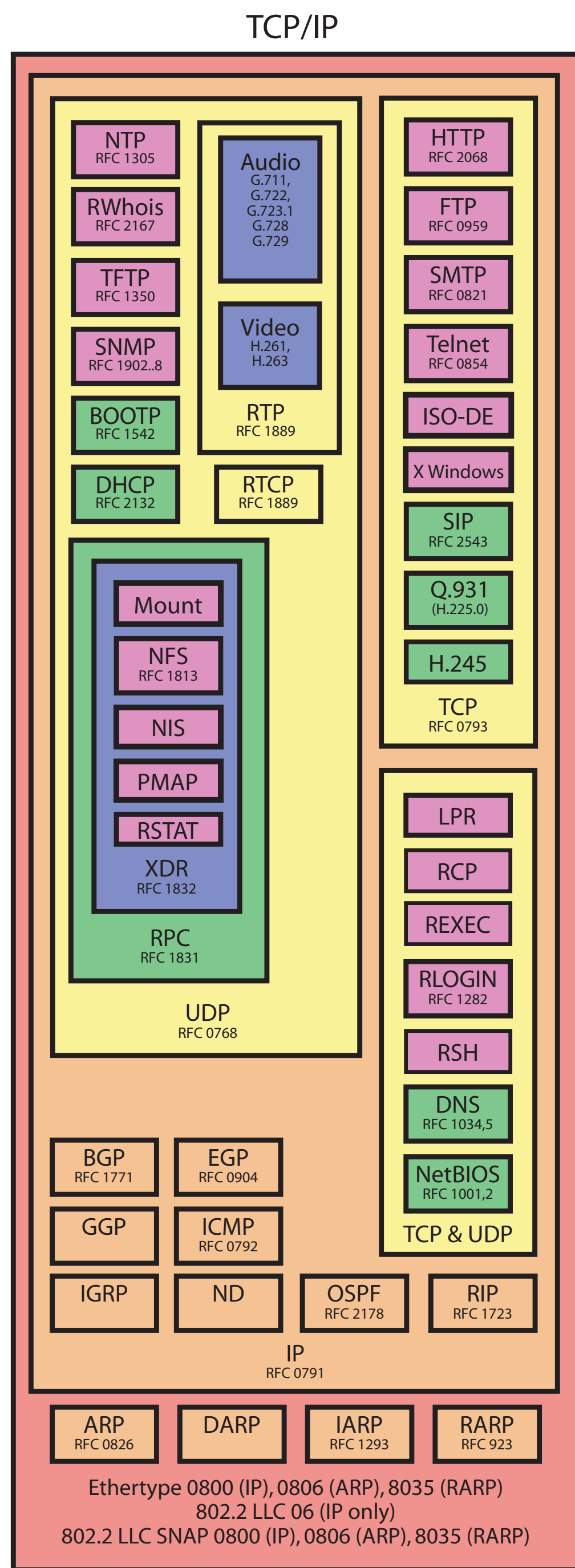


Protocol Family Encapsulations

- Layer 7 Application**
Provides standard services to applications and end-user interfaces.
- Layer 6 Presentation**
Performs data format conversion. Provides compression, encoding, and encryption of data.
- Layer 5 Session**
Establishes sessions between services. Synchronizes and performs translations for naming services.
- Layer 4 Transport**
Manages connections and provides reliable packet delivery. Operates in units of messages.
- Layer 3 Network**
Addresses and routes datagrams. Performs fragmentation and reassembly (IP). Operates in units of packets.
- Layer 2 Logical Link**
Provides hardware addressing and error detection/correction. Operates in units of frames.
- Layer 1 Physical**
Defines connection, electrical, and wiring specifications. Operates in units of bits.



AARP	AppleTalk Address Resolution Protocol	IARP	Inverse Address Resolution Protocol	NLP	NetWare Lite Protocol	RTSE	Reliable Transfer Service Element
ADSP	AppleTalk Data Stream Protocol	ICMP	Internet Control Message Protocol	NLSP	NetWare Link State Protocol	RWhois	Remote Whois
AEP	AppleTalk Echo Protocol	IDRP	Interdomain Routing Protocol	NTP	Network Time Protocol	SAP	Service Advertisement Protocol
AFP	AppleTalk Filing Protocol	IGRP	Interior Gateway Routing Protocol	NWBCAST	NetWare Broadcast Message Notification	SIP	Session Initialization Protocol
ARP	Address Resolution Protocol	IP	Internet Protocol	NWDIAG	NetWare Diagnostic Support Protocol	SMB	Server Message Block
ASCE	Association Control Service Element	IPX	Internet Packet Exchange	NWSER	NetWare Serialization Protocol	SMTP	Simple Mail Transfer Protocol
ASP	AppleTalk Session Protocol	IS-IS	Intermediate System to Intermediate System Routing	ODA	Office Document Architecture	SNMP	Simple Network Management Protocol
ATP	AppleTalk Transaction Protocol	ISO PP	Presentation Protocol	OSPF	Open Shortest Path First	SPX	Sequenced Packet Exchange
AURP	AppleTalk Update Routing Protocol	ISO SP	Session Protocol	PAP	Printer Access Protocol	TCP	Transmission Control Protocol
BGP	Border Gateway Protocol	ISO TP	Transport Protocol	PING	Packet Internet Groper	Telnet	Telecommunications Network Protocol
BOOTP	Boot Protocol	ISO-DE	Development Environment	PMAP	Port Mapper	TFTP	Trivial File Transfer Protocol
CLNP	Connectionless Network Protocol	LPR	Remote Print	RARP	Reverse Address Resolution Protocol	TOPS	Transcendental Operating System
CMIP	Common Management Information Protocol	LSP	NetWare Lite Sideband Protocol	RCP	Remote Copy	UDP	User Datagram Protocol
CONS	Connection Oriented Network Protocol	MMS	Manufacturing Message Service	REXEC	Remote Execution	VTP	Virtual Terminal Protocol
DARP	Dynamic Address Resolution Protocol	Mount	Mount Server	RIP	Routing Information Protocol	WatchDog	Station Keep Alive
DDP	Datagram Delivery Protocol	NBP	Name Binding Protocol	RLOGIN	Remote Login	X Windows	Graphical Windows
DHCP	Dynamic Host Configuration Protocol	NCP	NetWare Core Protocol	RSH	Remote Shell	X.400 MHS	Message Handling System
DNS	Domain Name System	ND	Network Disk	RSTAT	Remote Statistics	X.500 DS	Directory Services
EGP	Exterior Gateway Protocol	NDS	NetWare Directory Service	RTCP	RTP Control Protocol	XDR	Exchange Data Representative Protocol
FTAM	File Transfer Access and Management	NetBEUI	NetBIOS Enhanced User Interface	RTMP	Routing Table Maintenance Protocol	ZIP	Zone Information Protocol
FTP	File Transfer Protocol	NetBIOS	Network Basic Input/Output System	RTP	Real-time Transport Protocol		
GGP	Gateway to Gateway Protocol	NFS	Network File System				
HTTP	HyperText Transfer Protocol	NIS	Network Information Services				